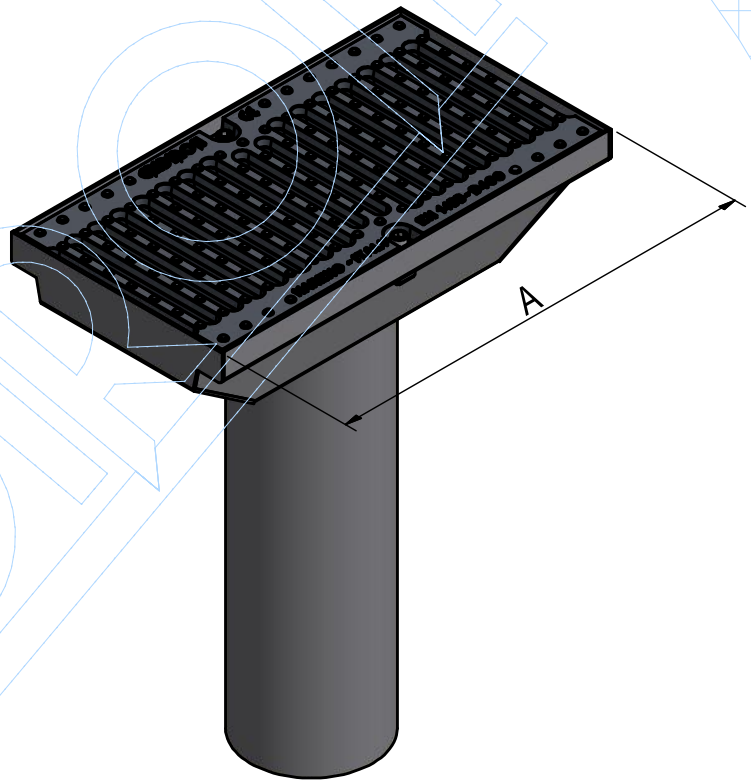
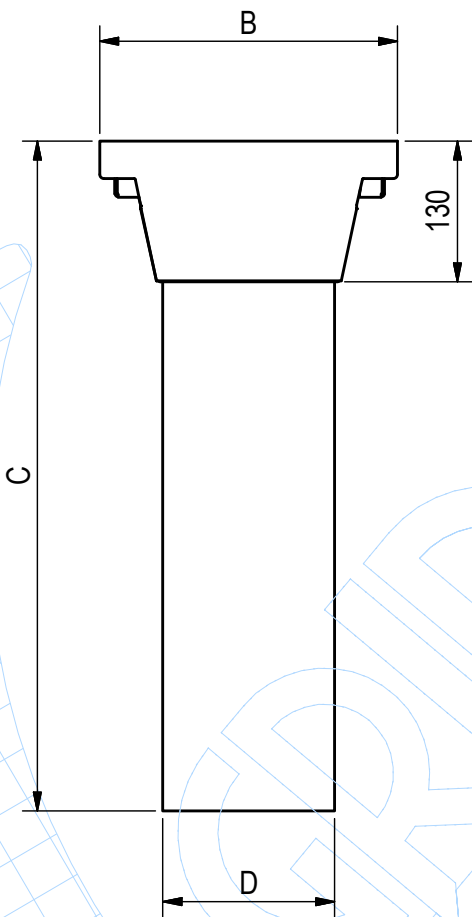


TECHINICAL SHEET



CODE	4R03PGS
	Funnel-shaped sump u.in 30/10 hot-dip galv.met.sheet, w/conn. w/159mm ext.
	incl.GJS500-7 ductile iron grating, assembled & locked w/2 st.stl screws.
TYPE	Bridge gullies
MATERIAL	S235JR - EN 10025:2005
LOADING CLASS	Class D400
NORM	EN 1433:2008



A	B	C	D	E
LENGHT MM	WIDTH MM	HEIGHT MM	RUNOFF SECTION Sq-CM	WEIGHT KG
510	276	620	159	30,1