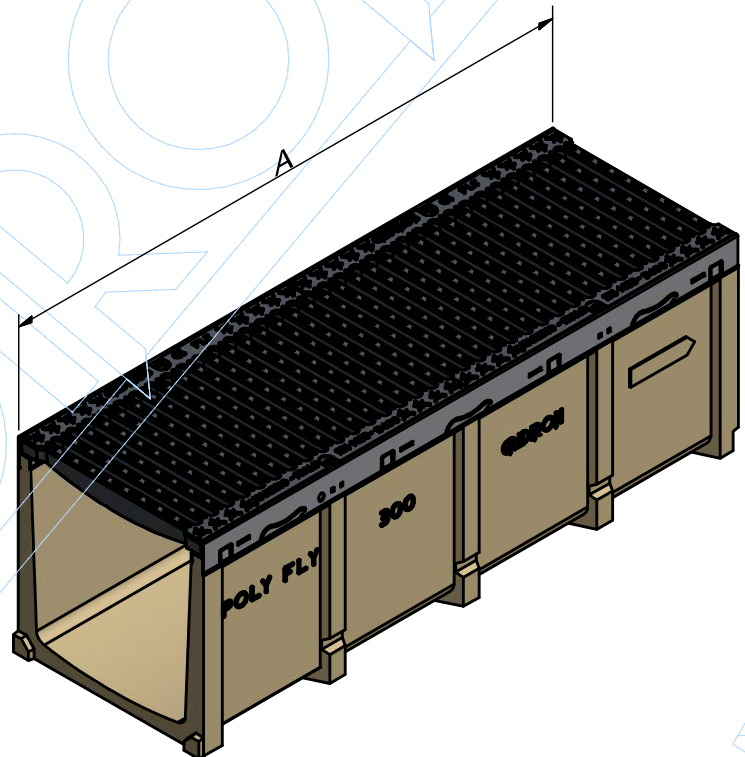
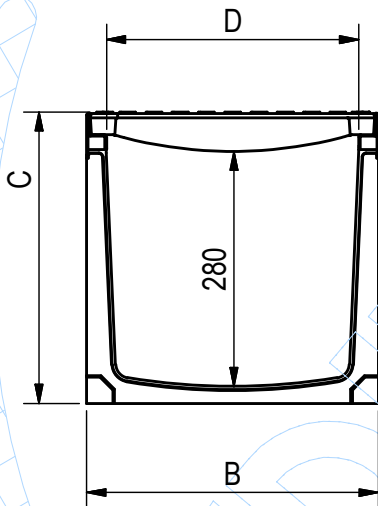


# TECHNICAL SHEET



ASSEMBLED CODE	4G32SGS
	POLY FLY 300 HIGH channel with galvanised protective edge rails, inclusive of 2 x GJS500-7 ductile iron locked gratings, D400 load class.
----- CHANNEL -----	4G32S
TYPE	Drainage Channel "M" Type
MATERIAL	Polymer Concrete
LOADING CLASS	Class D400
NORM	EN 1433:2008
WATER FLOW Lt/Sec.	0,5%=128 - 1%=181 - 1,5%=221 - 2%=255 - 3%=313
----- COVERS -----	4D32GS
TYPE	Cast-Iron Grid
MATERIAL	Ductile-Iron GJS500-7 : EN1563
LOADING CLASS	Class D400
NORM	EN 1433:2008
SLOT SIZE	14 mm x 196 mm



A	B	C	D	E	F
LENGHT MM	WIDTH MM	HEIGHT MM	INNER WIDTH MM	RUNOFF SECTION Sq-CM	WEIGHT KG
1000	347	345	300	855	76,97

All channels, to reach the given loading class, must be installed on site as for our installation instructions.